

## R7 /TOP

Anodized aluminium tool case



### General features

- cold moulded body realized from a 15/10 mm. thick aluminium sheet
- aluminium profile for a more reliable closing
- 2 chromed steel locks
- combination lock with 3 digits
- 3 metal hinges
- 4 metal feet
- chromed handle with soft grip
- vacuum formed tray with 3 compartments
- metal lid support stays with safety spring pawl

### Features

- 2 tool pallets with elastic bands
- double document wallet
- 2 small component boxes

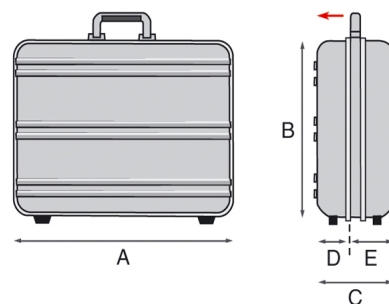
### Versions

- R7 /TOP
- R7 /TOP2 PTS

### EAN

8024482004396

Technical features	A	B	C	D	E
mm internal dimensions	474	355	178	74	104
Weight Kg 6,00					
inc internal dimensions	18 11/16	14	7	2 15/16	4 1/8
Weight lbs 13.22					



## R7 /TOP

Anodized aluminium tool case



The elegance and harmony of its rounded shapes, the body in anodized Aluminium, the combination lock, make this case the Top Line of GT's technical cases proposal.