

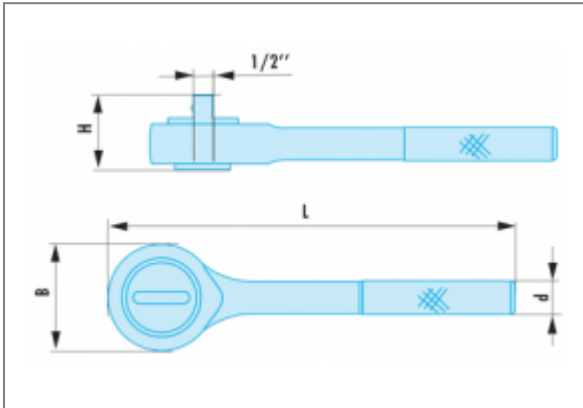
NON SPARKING 1/2" - 3/4" - 1" RATCHETS | S.155SR



Description

- Special non sparking and anti-magnetic Copper-Beryllium alloy.
- The entire ratchet mechanism is made in Copper-Beryllium.

Information



A [mm]	48
d [mm]	17
H [mm]	43,6
L [mm]	245
[g]	690